

DEUTZ TCD 5.2 L4

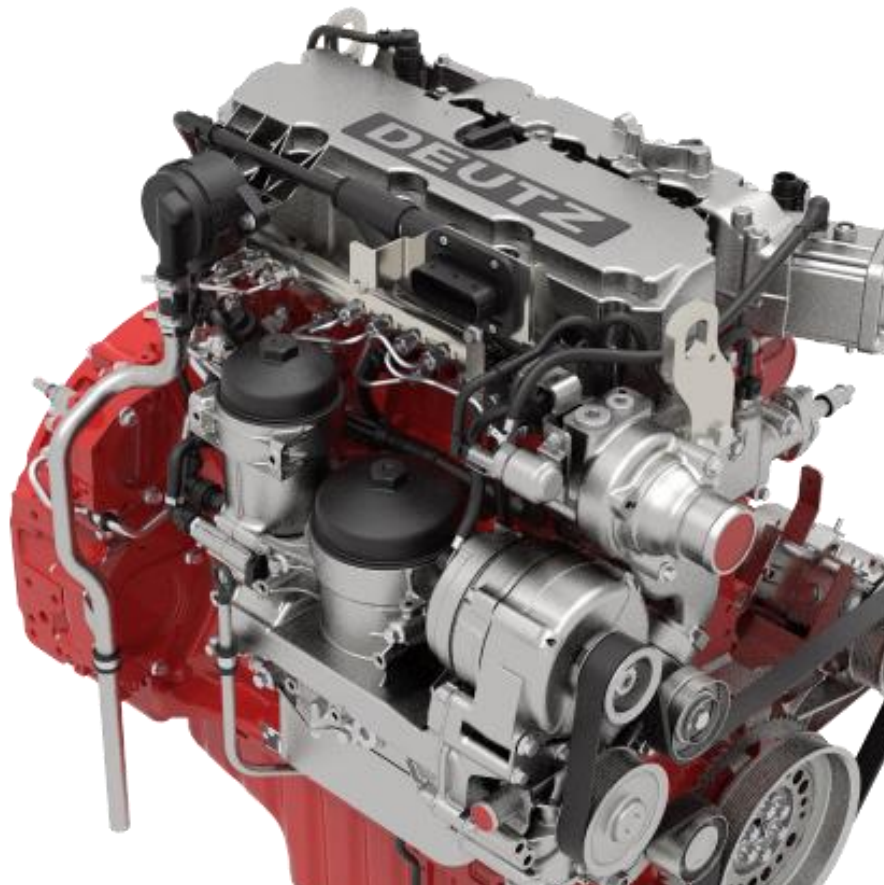


Powerful, efficient and compact.

For mobile machinery

The TCD 5.2 – With 100 up to 170 kW power output ideal for your application.

- **POWERFUL** / Up to 170 kW & 950 Nm
- **LOW EMISSIONS** / EU Stage V, Tier 4f, CN 4 & HVO certified
- **MODULAR** / Wide range of applications due to a variety of options
- **VERSATILE** / EDG - Version*



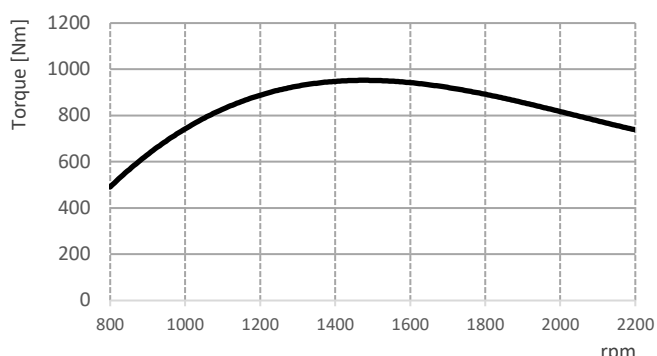
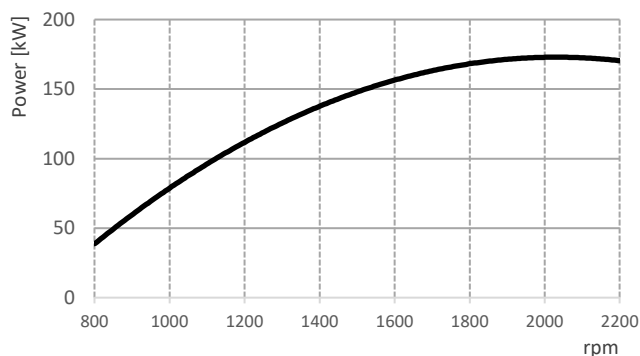
STAGE **V**
certified

CHINA
ready **4**

*Emission Downgrade without EAT

DEUTZ TCD 5.2

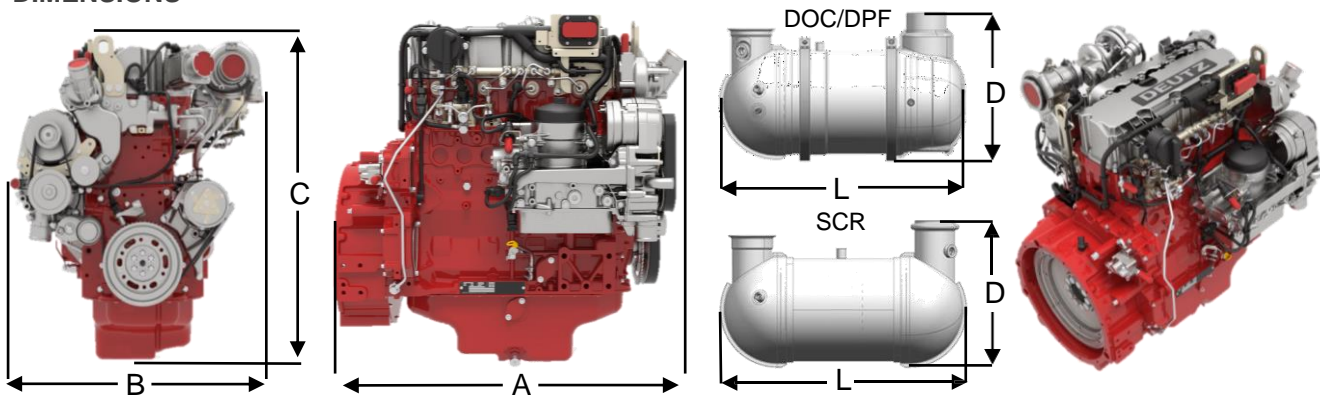
— TCD 5.2



TECHNICAL DATA

ENGINE TYPE	TCD 5.2	
No. of Cylinders	4	
Displacement	l	5.2
Max. Nominal Speed	min ⁻¹	2300
Aspiration	Turbocharger with charge air cooler	
Power Output acc. ISO 14396	kW	100 - 170
At Speed	min ⁻¹	1800 - 2300
Max. Torque	Nm	950
At Speed	min ⁻¹	1300 - 1500
Min. Idling Speed	min ⁻¹	800
Weight (DIN 70020 Part 7A)	kg	596

DIMENSIONS



ENGINE TYPE		A	B	C	D	DOC/DPF		SCR		DOC/DPF	SCR
TCD 5.2	mm	949	753	973	318	L	D	L		●	■
						640	289	635		●	■

- Standard for US Tier 4
- Standard for EU Stage V

