

# DEUTZ G 2.2 L3

Powerful, efficient and compact.



For mobile machinery

The G 2.2 – With 26 up to 42 kW power output ideal for your application.

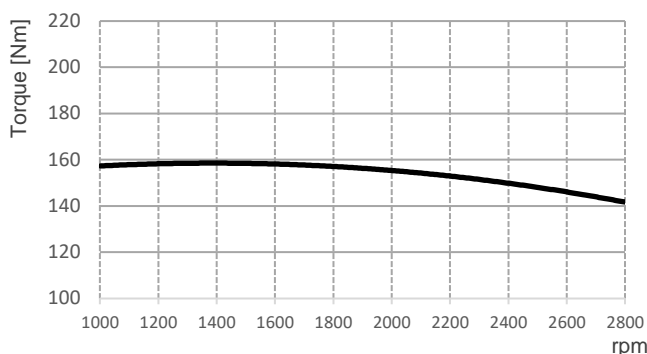
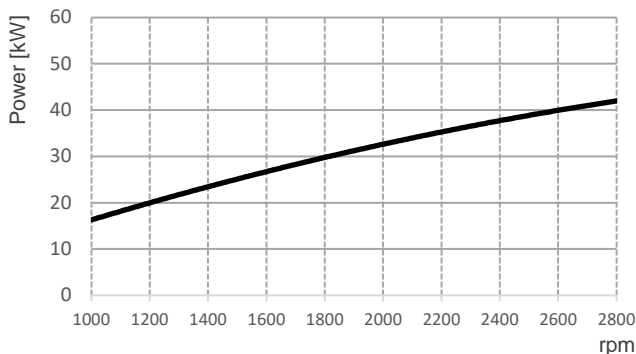
- **POWERFUL** / Up to 42 kW & 160 Nm
- **LOW EMISSIONS** / EU St. V & US EPA Tier 2\* with 3-way catalyst
- **MODULAR** / Wide range of applications due to a variety of options
- **VERSATILE** / LPG & CNG



\*Only for spark ignition engines

DEUTZ G 2.2 / 2.9

— G 2.2

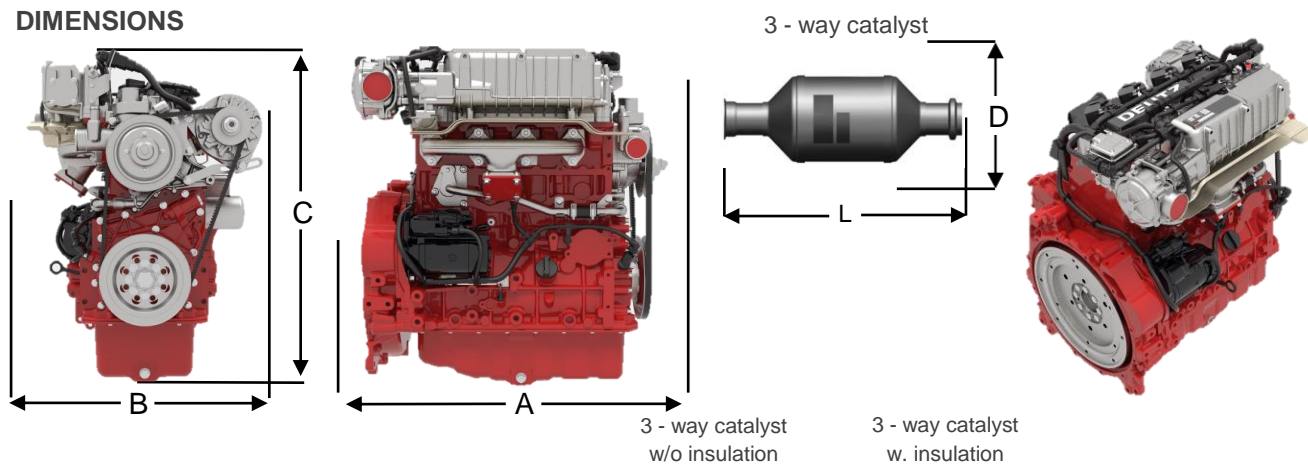


TECHNICAL DATA

ENGINE TYPE	G 2.2	
No. of Cylinders		3
Displacement	l	2.2
Max. Nominal Speed	min <sup>-1</sup>	2800
Aspiration		Natural
Power Output acc. ISO 14396	kW	26 - 41.5
At Speed	min <sup>-1</sup>	2800
Max. Torque	Nm	160
At Speed	min <sup>-1</sup>	1600
Min. Idling Speed	min <sup>-1</sup>	900
Weight (DIN 70020 Part 7A)	kg	187

\*depending on fuel type

DIMENSIONS



ENGINE TYPE		A	B	C	D	L	D	L	3 - way catalyst
G 2.2	mm	576	647	747	136	362	159	362	● ■

- Standard for US EPA Tier 2
- Standard for EU Stage V

